

Metalworks F-Plank

Armstrong[®]
CEILING SOLUTIONS

25 OCTOBER 2024

METALWORKS F-PLANK



Metalworks F-Plank

Flexibility is the key with MetalWorks F-Plank, which combine a range of profile and colour options with the ability to transition from ceilings to walls – all with a sophisticated clean visual

Due to printing limitations, shades may vary from actual product.

Benefits

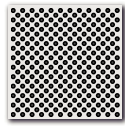
- Acoustical options with microperforated panels
- Custom finishes available
- Durable – Washable, Scrubbable, Impact-resistant, Soil-resistant
- Fast and easy installation
- Three Profile widths: 100, 200 and 300mm (nom) including a 20mm reveal
- Flexible Installation: On the ceiling, on the wall, or create 90° angled or curved ceiling-to-wall transitions

Typical Applications

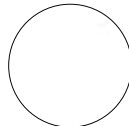
- Airports / Bus / Train Stations
- Atrium, Lobby / Reception Areas
- Restaurants
- Education – Lecture theatres and libraries
- Open Plan spaces



Plain Non Perforated



Micro Perforated
Hole diameter: 1.5mm
Open area: 22%



Satin White



Wood Effects
available



Powdercoat
colours available

Note: Due to printing limitations, shades may vary from actual product.



Physical data and Performance

Item Number•	Description	Dimensions Nominal WxLxH	Acoustics NRC	Light Reflectance (White)	Pieces/Carton
F1030M1_	100mm Unperforated	100 x 2400 x 16	N/A	0.77	16
F2030M1_	200mm Unperforated	200 x 2400 x 16	N/A	0.77	10
F3030M1_	300mm Unperforated	300 x 2400 x 16	N/A	0.77	6
F1030M2_	100mm Microperforated*	100 x 2400 x 16	0.70	0.61	16
F2030M2_	200mm Microperforated*	200 x 2400 x 16	0.70	0.61	10
F3030M2_	300mm Microperforated*	300 x 2400 x 16	0.70	0.61	6

Material: Galvanized Steel – thickness 0.6mm

Surface Finish: Powdercoated in Global White. Other colours, including Wood Effects available upon request.

Edge Detail: Square with extended flange. To create a Contrasts system, a black Filler Strip is available.

Fire Resistance: Conforms with NCC Spec. C1.10 as tested to AS 5637.1:2015 – Group 1, and ISO 5660 – Group 1 – S

Weight: 8.07kgs. m²

• When specifying or ordering, include the appropriate two letter colour suffix (eg F1030M1WH – for White, F1030M1SG – for Silver Grey)

* Microperforated panels feature an unperforated border and include acoustical fleece

Item Number	Description	Dimensions (mm)			Pieces/Carton
		Length	Width	Height	
BP5497M	Carrier Rail	3000	40	40	10
BP5498M	Flex Carrier Rail	3000	40	25	10
BP5499M	Carrier Rail Joiner	100	38	16	50
BP5580M	Carrier Rail Hanger Bracket	-	60	75	100
SCPF	Suspension Clip	-	-	-	100

Item Number	Description	Dimensions (mm)			Pieces/Carton
		Length	Width	Height	
BP5494M	Contrasts Filler Strip (Black)	2400	30	1.6	16
BP5576M	Pressure Spring	65	30	20	50
BP6545M_*	100mm Panel End Cap	100	16	25	50
BP6546M_*	200mm Panel End Cap	200	16	25	50
BP6547M_*	300mm Panel End Cap	300	16	25	50
BP6543_*	"E" Wall Moulding	3000	25	50	10
BP6351M	Speed Clip	6	12	3	100
BP5495M	100mm Panel Splice Plate	-	100mm	-	50
BP5496M	200mm Panel Splice Plate	-	200mm	-	50
BP5575M	300mm Panel Splice Plate	-	300mm	-	50

* When specifying or ordering, include the appropriate two letter colour suffix to match panel.



RH99
Humidity
Resistant



Product
Handling
Durability



Light
Reflectance



Fire
Resistance



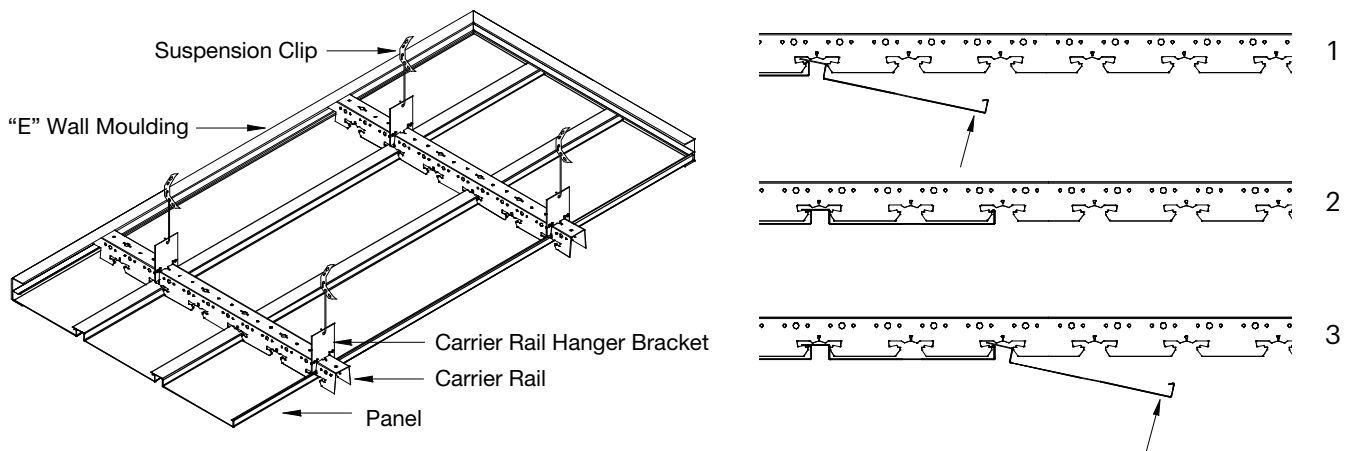
Colour
Selection



Acoustical
Comfort



Installation Detail



METALWORKS F-Plank are simply raised into position and clicked into the Carrier Rail.

Refer to the METALWORKS F-Plank System Components and also the Assembly and Installation Instructions for more details.

Contact us

Armstrong Ceiling Solutions (Australia) Pty. Ltd.

NSW / ACT
(02) 9748 1588

VIC / TAS
(03) 8706 4000

QLD / NT
(07) 3809 5565

Armstrong[®]
CEILING SOLUTIONS

©2024 Armstrong Ceiling Solutions (Australia) Pty Ltd
AWP1024 | Produced 25 October 2024

info@armstrongceilings.com.au
www.armstrongceilings.com.au