

Woodworks™ Lay In and Vector

Armstrong
CEILING SOLUTIONS



WOODWORKS™

Woodworks™ Lay In and Vector

Armstrong has harnessed the enduring, natural beauty of wood in a range of ceiling panels, combining functionality with elegance and wide range of choice.

Colours are representative and may vary from samples and actual product.

Benefits

Wide range of standard solutions:

- Three veneer and six laminate finishes
- Three panel profiles to install on standard Prelude™ XL 24mm Tee Suspension Grid for cost effectiveness and simplicity
- Three standard panel sizes
- TOTAL ACOUSTICS® Performance Options (NRC+CAC)

- Eighteen standard perforation options to enhance acoustical performance and design aesthetics

Available in Vector Edge:

- Narrow (6mm) reveal visual
- Installation with minimum plenum clearance
- Safe and secure downward accessibility without tools

Typical Applications

- Style and elegance for any interior
- Lobbies, Foyers and reception Areas
- Corridors
- Boardrooms
- Auditoriums, Classrooms and lecture theatres
- Bars and other hospitality areas
- Specialty retail
- Airport lounges

Laminates



FL(L) – Flaxen



AC(L) – Acacia



TE(L) – Tasman Elm

Veneers (Also available in Laminates)



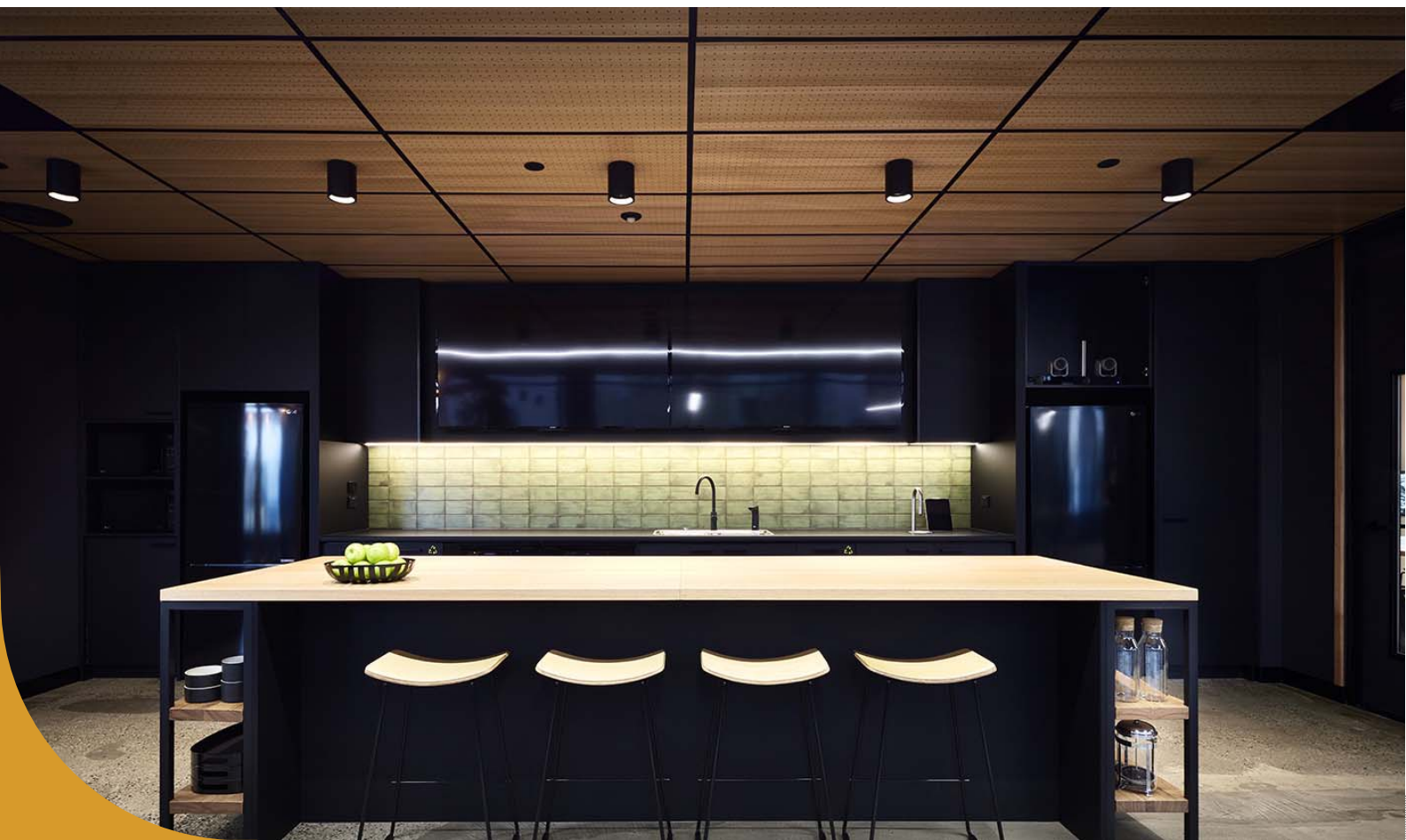
HP(L)(V) – Hoop Pine Rotary Cut



TO(L)(V) – Tasmanian Oak Quarter Cut

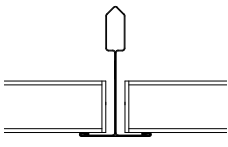

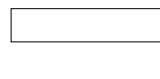
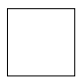
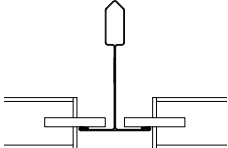
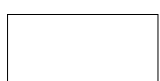
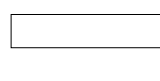
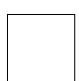
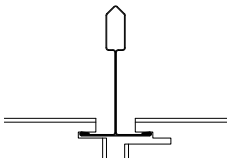
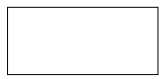
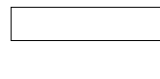
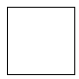


AW(L)(V) – American Walnut Crown Cut



Physical Data

System Selection

Square Edge: Lay In with Prelude™ 24mm Grid 	W001 1200 x 600 x 17mm 	W002 1200 x 300 x 17mm 	W003 600 x 600 x 17mm 
Tegular Edge: Lay In with Prelude™ 24mm Grid 	W004 1200 x 600 x 17mm 	W005 1200 x 300 x 17mm 	W006 600 x 600 x 17mm 
Vector Edge: Lay In with Prelude™ 24mm Grid 	W007 1200 x 600 x 17mm 	W008 1200 x 300 x 17mm 	W009 mm 600 x 600 x 17 



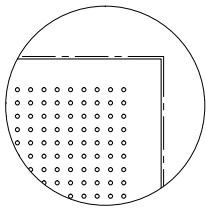
Conforms with NCC
 Spec. C1.10 as tested
 to AS 5637.1:2015 –
 Group 3



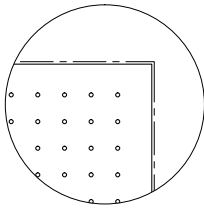
Moisture
 Resistant MDF



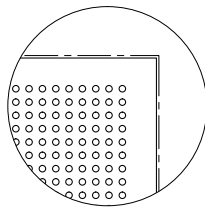
Perforation Patterns



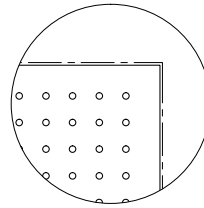
Code: M20
 RG5007
 Hole Size: 5mm
 Hole Centre: 16mm
 Pattern: Square
 Open Area: 7.2%



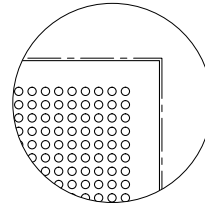
Code: M21
 RG5002
 Hole Size: 5mm
 Hole Centre: 32mm
 Pattern: Square
 Open Area: 1.8%



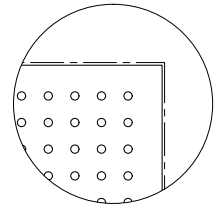
Code: M22
 RG8019
 Hole Size: 8mm
 Hole Centre: 16mm
 Pattern: Square
 Open Area: 18.5%



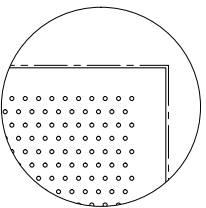
Code: M23
 RG8005
 Hole Size: 8mm
 Hole Centre: 32mm
 Pattern: Square
 Open Area: 4.6%



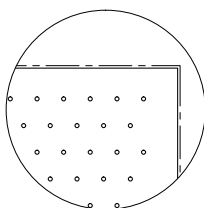
Code: M24
 RG1029
 Hole Size: 10mm
 Hole Centre: 16mm
 Pattern Square
 Open Area 28.9%



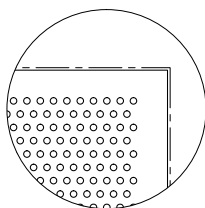
Code: M25
 RG10007
 Hole Size: 10mm
 Hole Centre: 32mm
 Pattern: Square
 Open Area: 7.2%



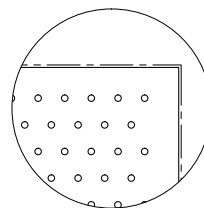
Code: M26
 RD5007
 Hole Size: 5mm
 Hole Centre: 16mm
 Pattern: Diamond
 Open Area: 7.2%



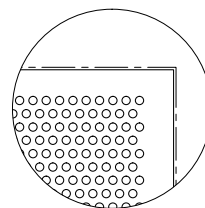
Code: M27
 RD5002
 Hole Size: 5mm
 Hole Centre: 32mm
 Pattern: Diamond
 Open Area: 1.8%



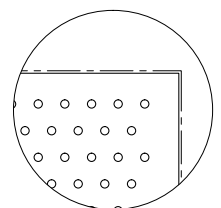
Code: M28
 RD8019
 Hole Size: 8mm
 Hole Centre: 16mm
 Pattern: Diamond
 Open Area: 18.5%



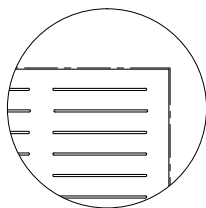
Code: M29
 RD8005
 Hole Size: 8mm
 Hole Centre: 32mm
 Pattern: Diamond
 Open Area: 4.6%



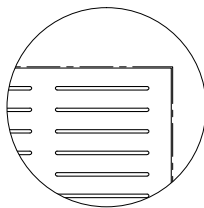
Code: M30
 RD1029
 Hole Size: 10mm
 Hole Centre: 16mm
 Pattern: Diamond
 Open Area 28.9%



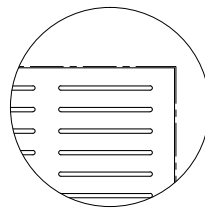
Code: M31
 RD10007
 Hole Size: 10mm
 Hole Centre: 32mm
 Pattern: Diamond
 Open Area: 7.2%



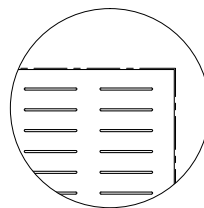
Code: M32
 LG5009
 Hole Size: 5 x 218mm
 Hole Centre: 50mm
 Pattern: 4 Columns*
 Open Area: 9%



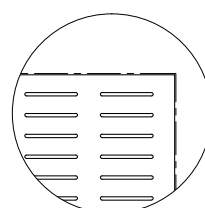
Code: M33
 LG8015
 Hole Size: 8 x 218mm
 Hole Centre: 50mm
 Pattern: 4 Columns*
 Open Area: 14.3%



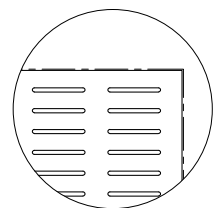
Code: M34
 LG10018
 Hole Size: 10 x 218mm
 Hole Centre: 50mm
 Pattern: 4 Columns*
 Open Area: 17.9%



Code: M35
 LG5008
 Hole Size: 5 x 127mm
 Hole Centre: 50mm
 Pattern: 6 Columns*
 Open Area: 8.5%



Code: M36
 LG8014
 Hole Size: 8 x 127mm
 Hole Centre: 50mm
 Pattern: 6 Columns*
 Open Area: 13.6%

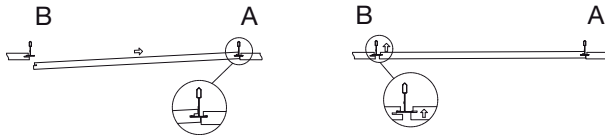


Code: M37
 LG10017
 Hole Size: 10 x 127mm
 Hole Centre: 50mm
 Pattern: 6 Columns*
 Open Area: 17%

* No. of slots across 1200mm panel width

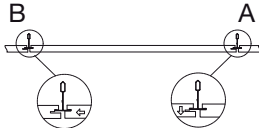
Installation

WOODWORKS™ Vector Panel Installation Details



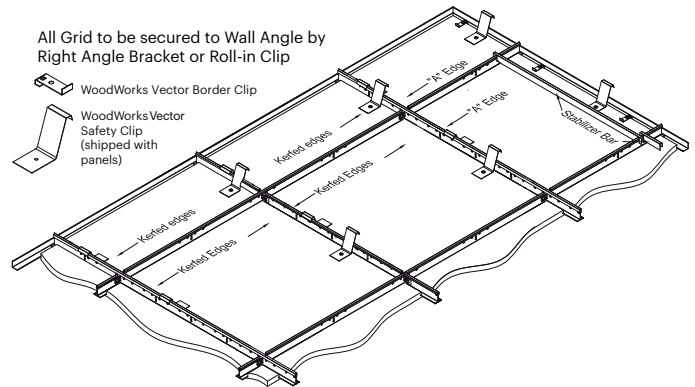
Step 1: Fully insert the deepest kerf of edge "A", the access kerf, onto the exposed grid flange.

Step 2: Raise the "B" edge of the panel, the registration kerf, into the grid opening until the kerf lines up with the grid flange.



Step 3: Slide the panel so that the registration kerf on edge "B" engages the grid flange. Ensure that the access kerf on edge "A" drops down into the correct position.

WOODWORKS™ Vector Arrangement



Note: Armstrong WOODWORKS are for interior application only.

Specification

Specification:

Armstrong WOODWORKS Ceiling Panels with Prelude™ XL 24mm Tee Suspension Grid (Black grid available)

Panel Material:

Moisture Resistant MDF

Surface Finish:

Laminate or Veneer options (see page 2)

Note: Variation among panels may occur due to the natural characteristics of the wood and grain

Perforation Patterns:

As above. Other patterns on request

Edge Detail:

Square, Tegular or Vector Edge

Acoustic Performance:

NRC up to 0.50* with standard Black acoustic fleece

NRC of up to 0.80* with addition of Black Optra Infill

CAC values up to 44* with addition of Mineral Infill

*Contact your Armstrong Ceilings representative for details

System Weight:

14kg/m²

Typical Module Sizes:

1200x600, 1200x300 or 600x600.

Other sizes upon request

Perimeter Solutions:

Range of standard Axiom aluminium wall angles, trims, pelmets plus custom bulkheads and fully integrated drywall solutions available

Service Integration:

Panels can be supplied with factory produced cut outs and apertures for the integration of building services equipment

Item Numbers:

Item numbers have four elements:

EXAMPLE:	W004	M26	HP	(L) (V)
	↑	↑	↑	↑
Panel:	Perforation Code:	Finish:	Material:	
Tegular Edge panel	RD5007 perforation	Hoop Pine	Laminate	
1200x600 Module	pattern = 5mm hole	Rotary Cut	or Veneer	
	@ 16mm centres in			
	a diamond pattern,			
	with 7.2% open area			

Contact us

Armstrong Ceiling Solutions (Australia) Pty. Ltd.

NSW / ACT
(02) 9748 1588

VIC / TAS
(03) 8706 4000

QLD / NT
(07) 3809 5565

Armstrong
CEILING SOLUTIONS