

WoodWorks™ Linear Planks

1. GENERAL

1.1 Product Description

WOODWORKS Linear ceilings consist of unperforated 80mm wide x 2400mm long or 130mm x 2400mm planks that are designed to install on Linear Carriers (PeakForm Prelude XL Main Bars) with factory-applied clips. Each type of linear plank module incorporates a 20mm reveal between planks that is covered by black acoustical fleece applied to the back side of the planks at the top of the reveal. The linear wood planks are not accessible after installation.

1.2 Surface Finish

Planks are produced from Moisture Resistant MDF and are available in both Laminated and Veneer finishes.

The exposed edges along the length of the planks are edge banded with a similar finish as the face, and the ends of the planks are unfinished.

1.3 Storage and Handling

All ceiling components should be stored in a dry interior location and shall remain in the original packaging prior to installation to avoid damage. The materials shall be stored off the floor in a flat, level condition. Use proper care when handling to avoid damage or soiling.

CAUTION: Use proper care and caution when handling suspension systems due to the sharp edges on all exposed clips.

1.4 Site Conditions

Building areas that will receive ceiling planks shall be free of construction dust and debris.

Wood may also have a tendency to warp, twist, or bow, due to the natural stresses in the components and these humidity changes. Be aware of these natural tendencies when evaluating the products.

All wet work (plastering, concrete, etc.) must be complete and dry. These products cannot be used in exterior applications.

To ensure that the ceiling planks have stabilized to the current building conditions, prior to their installation, the planks must be placed in an environmentally stable building location for a minimum of 72 hours.

1.5 Colour

WoodWorks Linear planks are available in a range of Laminate and Veneer finishes. Natural variations in color

and grain are characteristic of wood products. To maximize visual consistency, planks should be unpacked and examined collectively to determine the most desirable arrangement for installation.

1.6 Ordering Considerations

Be sure to account for extra material that is normally needed for linear wood installations. Typical installations should consider ordering at least 5% extra material. Up to 10% more may be needed for odd size or diagonal installations. It is the customer's responsibility to plan each layout and order the correct amount of installation material needed, taking into account their design and the dimensions of the nominal 2400mm long by 100mm or 150mm wide plank modules.

2. SUSPENSION SYSTEM

2.1 General

WoodWorks® Linear planks are supported by Linear Carriers (PeakForm Prelude XL Main Bars) installed no more than 600mm on center. The Main Bars are supplied with factory-applied linear clips spaced to accommodate either the nominal 100mm or 150mm wide plank modules.

2.2 Load Capacity

WoodWorks Linear planks weigh 10.5 kg/m² for 80mm plank and grid modules and 12.5 kg/m² 130mm plank and grid modules. The Main Bar with flitted clips are supplied as part of the system and are capable of carrying the weight of the planks in the manner prescribed.

3. FIRE PERFORMANCE

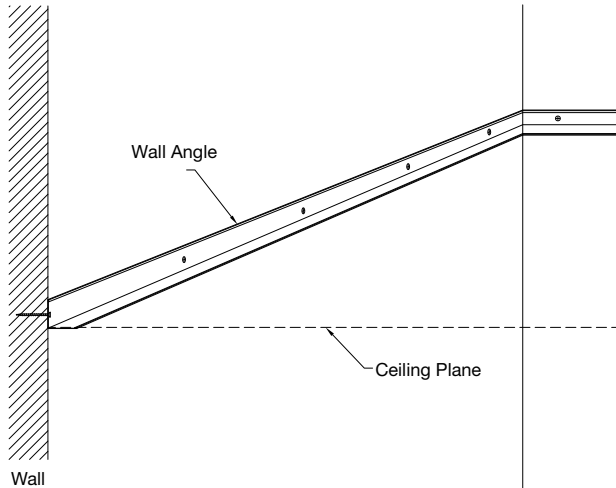
Conforms with BCA Spec. C1.10 and tested to AS/NZS 3837:1998 – Group 3

4. PREPARATION

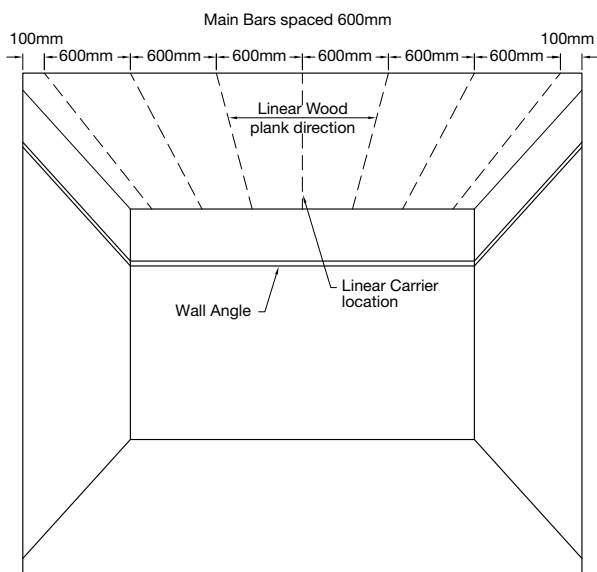
Determine the desired height of the new ceiling. Strike a level line around the perimeter of the area to indicate the height of the top of the molding to be installed. Determine the desired direction of the linear wood ceiling.

5. INSTALLATION

5.1 If the installation is to run from wall to wall, install wall molding on a level line around the perimeter of the area. The natural expansion and contraction of wood products must be considered when planning the installation. Allow for 10mm movement around all perimeters, meaning Planks to be cut 10mm short of the wall. It is also recommended that butt joints are to be staggered.



5.2 Secure suspension rods to the structure above. Main Bars must be supported not more than 300mm from the ends and then 900mm on center along their length. Main Bars are to be spaced not more than 100mm from the walls and then 600mm on center across the room.

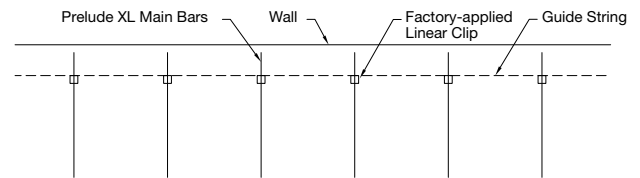


5.3 Install the grid system so the face of the grid is 17mm above the bottom of the wall angle.

5.4 Measure the width of the room in the direction perpendicular to the length of the Planks. Divide this dimension by the width of the Plank plus reveal, 100mm for narrow Planks or 150mm for the wider version, and determine the remainder in millimeters. Add the width of a single plank to the remainder and divide by two. This is the width of your border planks.

5.4.1 Measure off of the starting wall the dimension determined in the previous section minus 25mm for narrow planks or 45mm for wide Planks and stretch a guide string from one side of the room to the other. Cut the Prelude XL

Main Bars so that the edge of the first clip on each Main Bar will align with the string line.



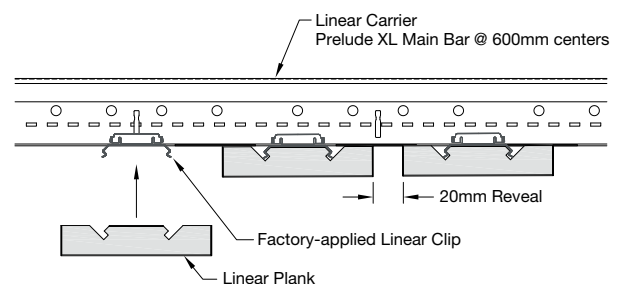
5.4.2 Cut the first row of Planks to the correct width. If the result of this cut prevents the clip from engaging the grooves on the back of the Plank, remove the clip from the carrier and attach the first row of Planks by inserting 12mm long screws through the flange of the Main Bar into the back of the Plank. A 3mm thick shim must be inserted between the Plank and suspension system at every location where the clip has been removed.

5.5 Hang the Main Bars on the hanger wires, aligning the clips with the guide string at the starting end. Join Main Bars together to reach the other end of the installation.

CAUTION: The exposed edges of the clips on the Main Bar are very sharp. Be cautious in handling and installing near the carriers.

5.6 If the end of the first Plank in any row ends directly under a carrier, cut one end of the Plank so the other end of the plank falls between carriers. Position the starting end of each row of wood planks as described in section 5.4.2 (temporary spacers can be used for this), and the black fleece backer toward you, push the wood plank onto the clips on the Main Bars allowing the clip to enter the grooves on the back of the plank. Hold the Main Bar down while pushing up on the plank. Make sure the clip is fully entered into the grooves. You should hear an affirmative “snap” noise once the plank is in its proper position.

Should a clip fail to hold for any reason, insert a 13mm long sharp point screw through the dimple on the flange of the Main Bar and into the back side of the plank.

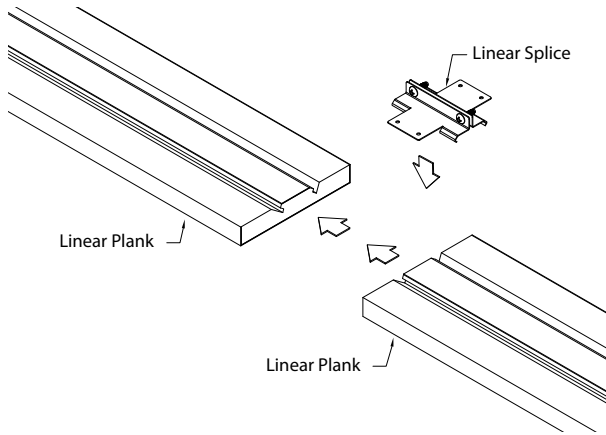


CAUTION: Be careful not to damage a clip. If a clip is damaged, a replacement clip can be put on from a spare piece of carrier.

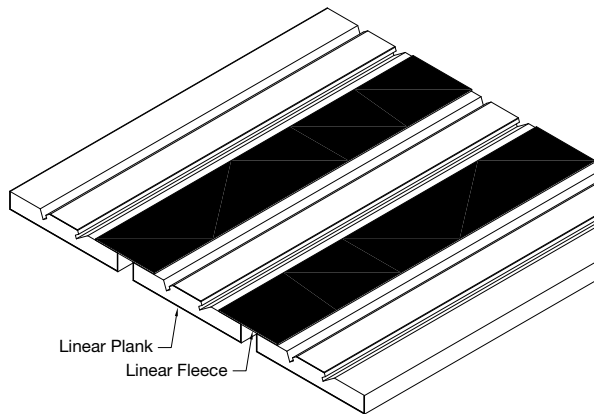
5.7 Work from one end of the strip to the other. Hand pressure should be enough to seat a clip into the kerfs fully.

NOTE: Install additional planks end to end to complete the row. Butt the ends tightly together and secure each joint with a Linear Splice. Insert the Linear Splice into the grooves on the back of the Planks and tighten the screws to secure the connection. Holes are provided in the Linear Splice for the insertion of screws into the back of the Planks. Drill pilot holes in the wood. This is only required where warp or twist causes the plank ends to misalign.

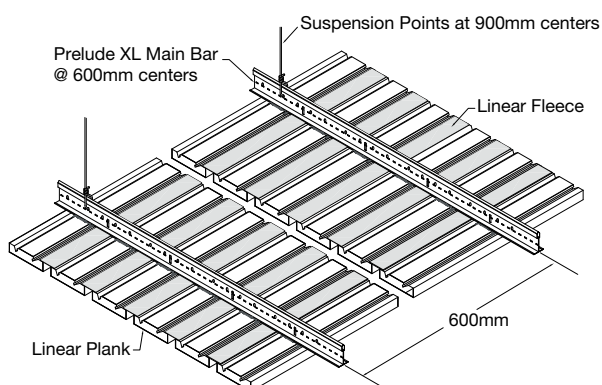
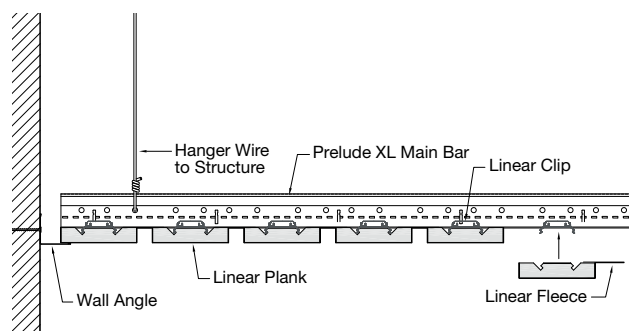
5.8 Cut the last wood Plank to provide the required end clearance and install to complete the row.



5.9 As you start the second row of Planks, make sure the black fleece from the first row lays over the back side of the adjacent planks in the second row.



If there are any gaps between the fleece at Plank end joints, cut a scrap of fleece from a leftover Plank, apply a drop of glue to it, and apply the patch over the gap on the back of the fleece.



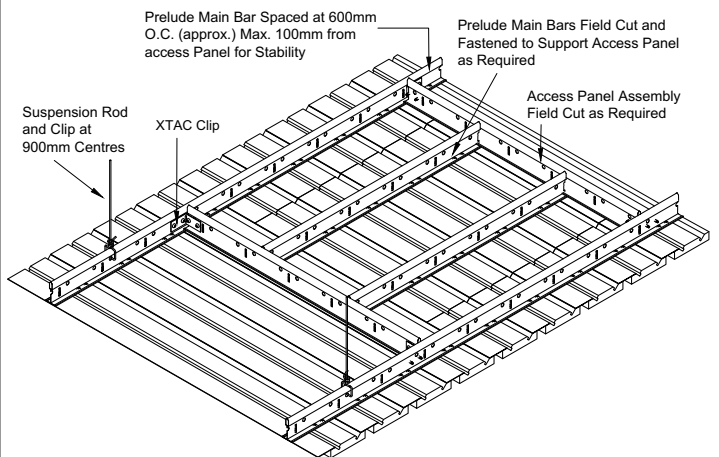
5.10 Continue in this manner to the other end of the room. Do not install the last three rows of full width Planks until after the final border row is completed. Cut and install the border row as described in section 5.4.2, then complete the installation of full width Planks.

6. PERIMETER TREATMENT

When the installation is not slated to run from wall to wall, cut the ends of the Planks before installing. (**CAUTION:** The fleece could jam the saw blade. Consider taping it down to the wood first.) For floating installation use Axiom Perimeter Trims fixed back to grid with Roll in clips.

7. ACCESS OPTIONS

To create an access door in the field, first attach several field cut Planks together with field cut Prelude XL Main Bars. Then use two pieces of Prelude XL Main Bar to act as outriggers to support the access panel. The weight of the access door will rest on the adjacent Main Bars.



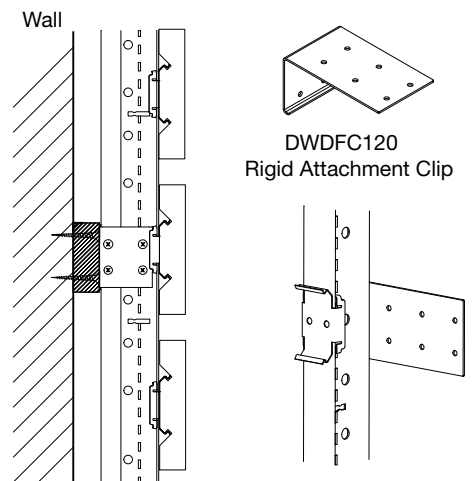
8. WALL INSTALLATION

Determine Plank orientation – horizontal or vertical. Install wood furring strips horizontally, securing them to wall studs or a solid wall with appropriate fasteners for the substrate. Spacing between furring should not be more than 600mm. The first furring strip at the bottom should be elevated from the floor by no more than 100mm. The last furring strip at the top should be 100mm from the existing ceiling.

Install Rigid Attachment Clips (DWDFC120) to the furring strips, flush, going up the wall and 600mm O.C. The first and last Main Bars must be no more than 100mm from the end of the plank. Splice plate installations will be blind and will need a

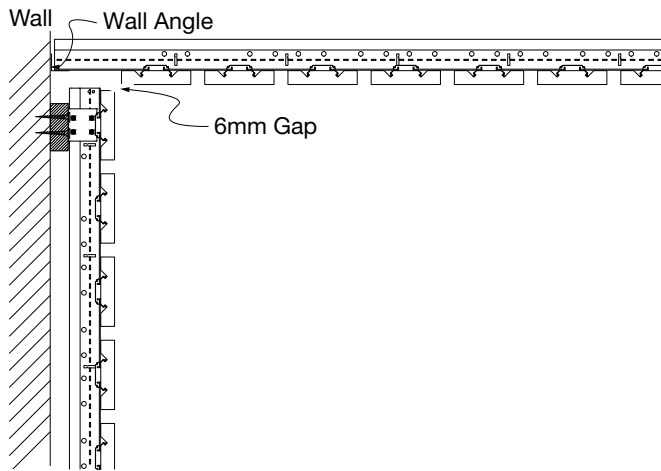
Phillips screwdriver.

Install panels from the bottom up, with felt down.



8.1 Straight Ceiling-to-Wall Transitions

Install the ceiling and wall Planks per instructions given leaving a 6mm gap between the ceiling Planks and the last wall plank. If installing adjacent walls, leave 6mm gap between the end of the plank and the face of the adjacent plank.



9. CUTTING

When you cut a Plank to length, first tape the fleece to the wood and then cut the Plank with normal woodworking tools of your choice.

Penetrations for sprinklers (or other fixtures) can be accomplished by simple interruption of the wood planks at those locations or by using normal woodworking tools to cut access in the Planks.

CAUTION: WOOD DUST. Sawing, sanding, and machining wood products can produce dust. Airborne wood dust can cause respiratory, eye, and skin irritation.

Precautionary measures: If power tools are used, they should be equipped with a dust collector. If high dust levels are encountered, use an appropriate NIOSH-designed dust mask. Avoid dust contact with eyes and skin.

First Aid measure in case of irritation: In case of irritation, flush eyes or skin with water for at least 15 minutes.

10. CLEANING RECOMMENDATIONS

WoodWorks Linear Planks can be cleaned with a soft, dry cloth.

MORE INFORMATION

For complete technical information, detail drawings, CAD design assistance, installation information and many other technical services, call your local Armstrong Ceilings representative.

For the latest product selection and specification data, visit armstrongceilings.com.au

Contact us

NSW/ACT

Armstrong Ceiling Solutions (Australia) Pty. Ltd.
Unit 4, 1 Basalt Road, Pemulwuy NSW 2145
Telephone (02) 9748 1588

VIC/TAS

Armstrong Ceiling Solutions (Australia) Pty. Ltd.
Unit 1, 88 Henderson Road, Rowville VIC 3178
Telephone (03) 8706 4000

QLD / NT

Armstrong Ceiling Solutions (Australia) Pty. Ltd.
6 Barrinia Street, Slacks Creek QLD 4127
Telephone (07) 3809 5565

SA

Total Building Systems Pty. Ltd.
160 Grand Junction Road, Blair Athol SA 5084
Telephone (08) 7325 7555

WA

Ceiling Manufacturers of Australia Pty. Ltd.
3 Irvine Street, Bayswater WA 6053
Telephone (08) 9271 0777

New Zealand

Forman Building Systems Ltd.
27B Smales Road, East Tamaki, Auckland 2013
Telephone 64-9-276 4000


CEILING SOLUTIONS